

# Data Sheet

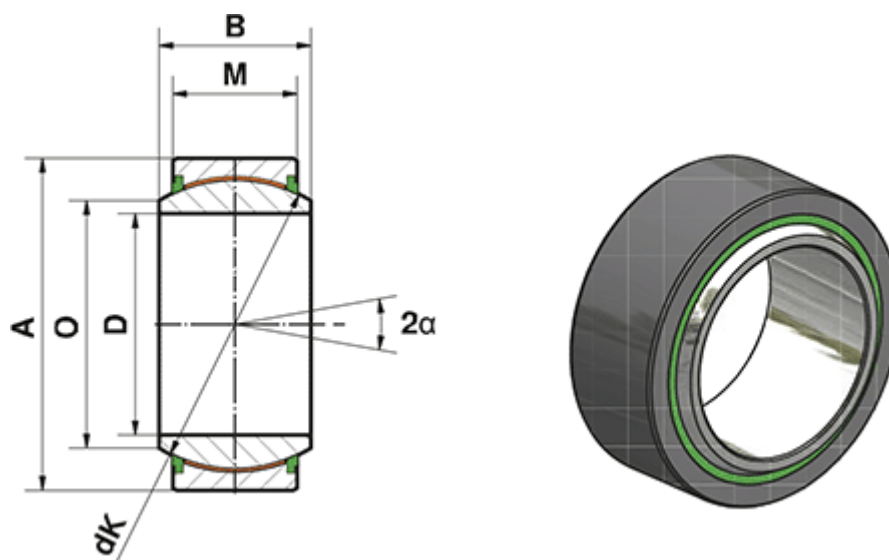


Article number: 03445140

Description: Fluro Heavy Duty Spherical Plain Bearing GE 140 EW-2RS  
Hole Ø140

Note: 140

## Measures



A	= 210	Static load C0 (kN) = 5025
a (degrees)	= 7	Weight (g) = 10600
B	= 90	
D	= 140	
dk	= 180	
Dynamic load C (kN)	= 3015	
M	= 70	
O	= 155.8	